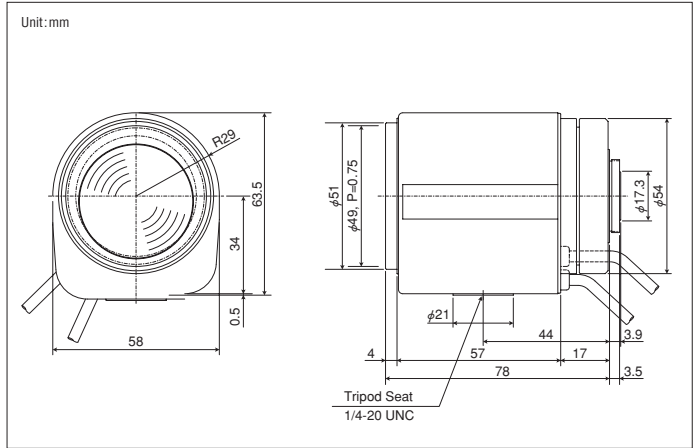


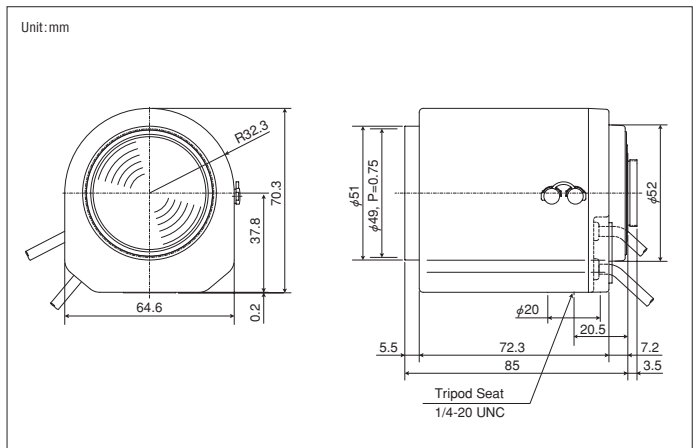
## Motorized Zoom Lens



Basic Specification		
Format Size	1/3	
Focal Length	6.3~38mm	
Max. Aperture Ratio	1:1.2	
Iris Range	F1.2~360	
Mount	CS	
Horizontal Angle of View	1/4 format	31.26~5.59°
	1/3 format	41.12~7.43°
	1/2 format	—
	2/3 format	—
Min. Object Distance	1.8m	
Back Focal Length	9.23mm	
Filter Size	49mm P=0.75mm	
Dimensions	58×63.5×78mm	

Model	TS6ZME (C70600)
Iris	Auto-Iris (Video & DC Iris) Approx. 1.5 sec (Video Iris) (Close-Open)
Focus	Motorized Approx. 5.0 sec (Near-Far)
Zoom	Motorized Approx. 5.0 sec (Wide-Tele)
Weight	410g
Remarks	

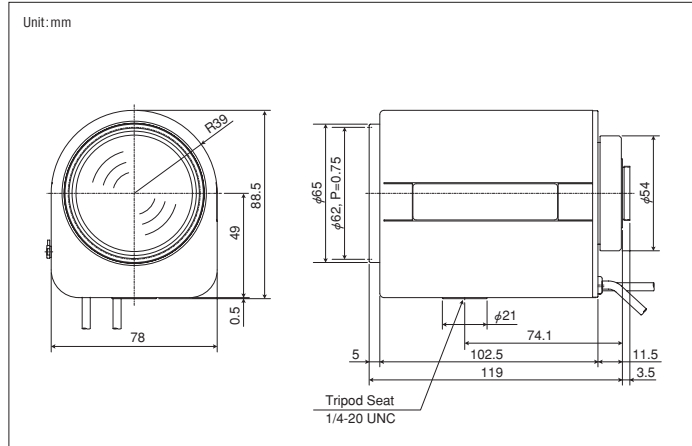
## Motorized Zoom Lens



Basic Specification		
Format Size	1/3	
Focal Length	5.8~58mm	
Max. Aperture Ratio	1:1.2~1.7	
Iris Range	F1.2~360	
Mount	CS	
Horizontal Angle of View	1/4 format	33.77~3.62°
	1/3 format	44.07~4.78°
	1/2 format	—
	2/3 format	—
Min. Object Distance	1.8m	
Back Focal Length	8.99mm	
Filter Size	49mm P=0.75mm	
Dimensions	64.6×70.3×85mm	

Model	TS10ZME (C70500)	TS10ZME-P (C70501)
Iris	Auto-Iris (Video & DC Iris) Approx. 1.5 sec (Video Iris) (Close-Open)	Auto-Iris (Video & DC Iris) Approx. 1.5 sec (Video Iris) (Close-Open)
Focus	Motorized Approx. 8.0 sec (Near-Far)	Motorized with Pre-Set Approx. 8.0 sec (Preset) (Near-Far)
Zoom	Motorized Approx. 6.5 sec (Wide-Tele)	Motorized with Pre-Set Approx. 6.5 sec (Preset) (Wide-Tele)
Weight	380g	430g
Remarks		

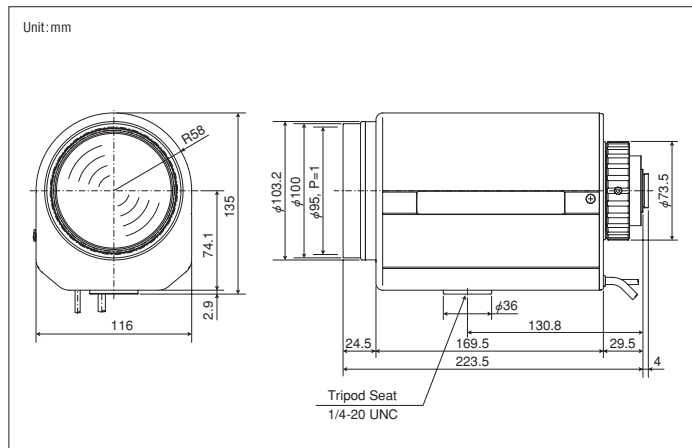
## Motorized Zoom Lens



Basic Specification		
Format Size	1/3	
Focal Length	6.0~90mm	
Max. Aperture Ratio	1:1.2~1.8	
Iris Range	F1.2~430	
Mount	CS	
Horizontal Angle of View	1/4 format	32.96~2.33°
	1/3 format	43.48~3.08°
	1/2 format	—
	2/3 format	—
Min. Object Distance	1.5m	
Back Focal Length	10.70mm	
Filter Size	62mm P=0.75mm	
Dimensions	78×88.5×119mm	

Model	TS15ZAME (C70624)	TS15ZAME-P (C70627)
Iris	Auto-Iris (Video & DC Iris) Approx. 1.5 sec (Video Iris) (Close-Open)	Auto-Iris (Video & DC Iris) Approx. 1.5 sec (Video Iris) (Close-Open)
Focus	Motorized Approx. 8.0 sec (Near-Far)	Motorized with Pre-Set Approx. 8.0 sec (Near-Far)
Zoom	Motorized Approx. 6.0 sec (Wide-Tele)	Motorized with Pre-Set Approx. 6.0 sec (Wide-Tele)
Weight	760g	770g
Remarks		Manual Override (Only Video Iris) TS15ZAME-FH (C70634) High-Speed

## Motorized Zoom Lens

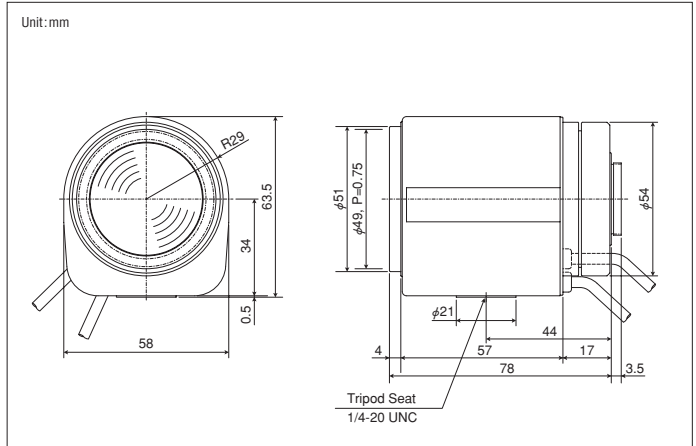


Basic Specification		
Format Size	1/3	
Focal Length	9.0~180mm	
Max. Aperture Ratio	1:1.2~2.1	
Iris Range	F1.2~510	
Mount	CS	
Horizontal Angle of View	1/4 format	22.61~1.15°
	1/3 format	30.28~1.53°
	1/2 format	—
	2/3 format	—
Min. Object Distance	2.2m	
Back Focal Length	14.25mm	
Filter Size	95mm P=1.0mm	
Dimensions	116×135×223.5mm	

Model	TS20ZAME (C70904)	TS20ZAME-P (C70906)
Iris	Auto-Iris (Video & DC Iris) Approx. 1.5 sec (Video Iris) (Close-Open)	Auto-Iris (Video & DC Iris) Approx. 1.5 sec (Video Iris) (Close-Open)
Focus	Motorized Approx. 10 sec (Near-Far)	Motorized with Pre-Set Approx. 10 sec (Preset) (Near-Far)
Zoom	Motorized Approx. 10 sec (Wide-Tele)	Motorized with Pre-Set Approx. 10 sec (Preset) (Wide-Tele)
Weight	2,540g	2,540g
Remarks		Manual Override (Only Video Iris) TS20ZAME-F (C70905)

Motorized Zoom Lens

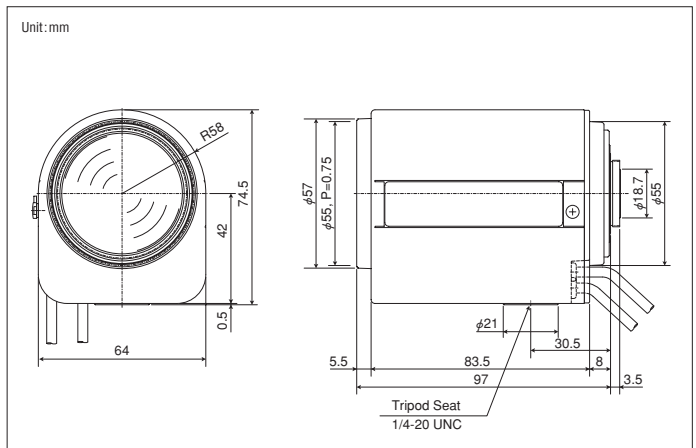
## Motorized Zoom Lens



Basic Specification		
Format Size	1/2	
Focal Length	8.0~48mm	
Max. Aperture Ratio	1:1.4	
Iris Range	F1.4~360	
Mount	CS	
Horizontal Angle of View	1/4 format	24.81~4.39°
	1/3 format	32.78~5.82°
	1/2 format	42.88~7.69°
	2/3 format	—
Min. Object Distance	1.8m	
Back Focal Length	11.60mm	
Filter Size	49mm P=0.75mm	
Dimensions	58×63.5×78mm	

Model	HS6ZME (C60806)
Iris	Auto-Iris (Video & DC Iris) Approx. 1.0 sec (Video Iris) (Close-Open)
Focus	Motorized Approx. 5.0 sec (Near-Far)
Zoom	Motorized Approx. 5.0 sec (Wide-Tele)
Weight	400g
Remarks	

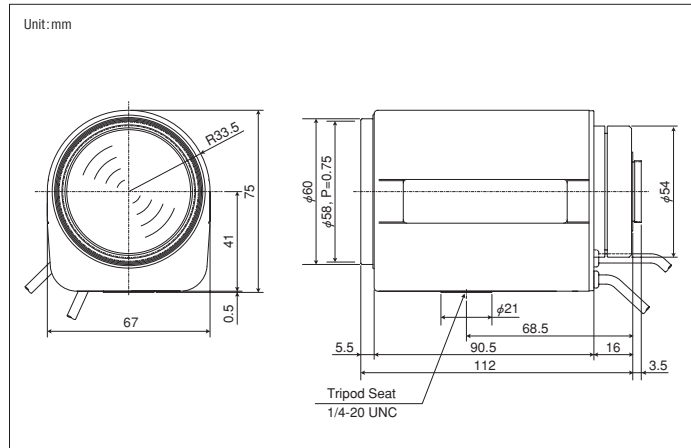
## Motorized Zoom Lens



Basic Specification		
Format Size	1/2	
Focal Length	8.0~48mm	
Max. Aperture Ratio	1:1.0~1.2	
Iris Range	F1.0~720	
Mount	C	
Horizontal Angle of View	1/4 format	24.92~4.42°
	1/3 format	32.98~5.86°
	1/2 format	43.24~7.73°
	2/3 format	—
Min. Object Distance	1.2m	
Back Focal Length	13.65mm	
Filter Size	55mm P=0.75mm	
Dimensions	64×74.5×97mm	

Model	H6ZBME (C60809)	H6ZBME-P (C60810)
Iris	Auto-Iris (Video & DC Iris) Approx. 1.5 sec (Video Iris) (Close-Open)	Auto-Iris (Video & DC Iris) Approx. 1.5 sec (Video Iris) (Close-Open)
Focus	Motorized Approx. 6.0 sec (Near-Far)	Motorized with Pre-Set Approx. 6.0 sec (Near-Far)
Zoom	Motorized Approx. 6.0 sec (Wide-Tele)	Motorized with Pre-Set Approx. 6.0 sec (Wide-Tele)
Weight	530g	540g
Remarks		Manual Override (only Video Iris) H6ZBME-F (C60813)

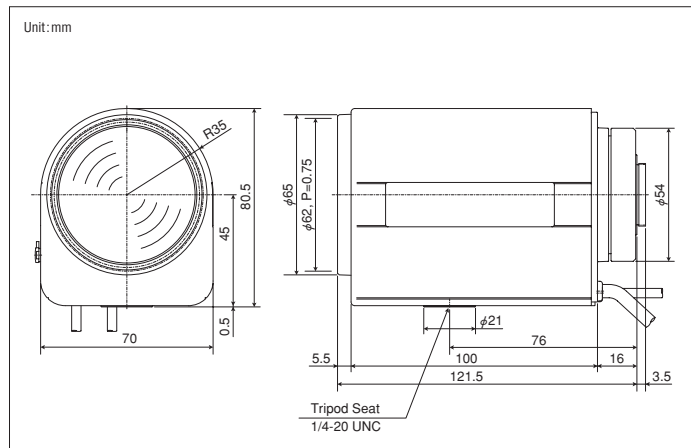
## Motorized Zoom Lens



Basic Specification		
Format Size		1/2
Focal Length		7.5~75mm
Max. Aperture Ratio		1:1.4~1.5
Iris Range		F1.4~360
Mount		CS
Horizontal Angle of View	1/4 format	26.15~2.83°
	1/3 format	34.52~3.75°
	1/2 format	45.05~4.95°
	2/3 format	—
Min. Object Distance		1.8m
Back Focal Length		10.75mm
Filter Size		58mm P=0.75mm
Dimensions		67×75×112mm

Model	HS10ZME (C60700)	
Iris	Auto-Iris (Video & DC Iris) Approx. 1.5 sec (Video Iris) (Close-Open)	
Focus	Motorized Approx. 6.5 sec * (Near-Far)	
Zoom	Motorized Approx. 5.5 sec ** (Wide-Tele)	
Weight	580g	
Remarks	* 6.0 sec for Type 2 ** 5.0 sec for Type 2	

## Motorized Zoom Lens

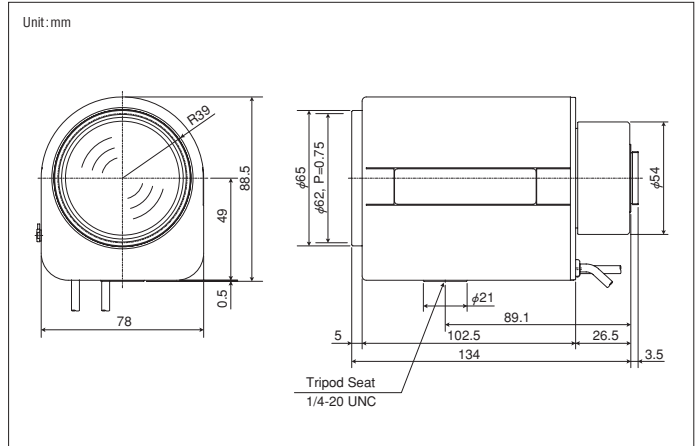


Basic Specification		
Format Size		1/2
Focal Length		7.5~75mm
Max. Aperture Ratio		1:1.2~1.5
Iris Range		F1.2~512
Mount		C
Horizontal Angle of View	1/4 format	26.45~2.84°
	1/3 format	34.94~3.77°
	1/2 format	45.63~4.99°
	2/3 format	—
Min. Object Distance		1.8m
Back Focal Length		14.52mm
Filter Size		62mm P=0.75mm
Dimensions		70×80.5×121.5mm

Model	H10ZME (C60701)	H10ZME-P (C60702)
Iris	Auto-Iris (Video & DC Iris) Approx. 1.5 sec (Video Iris) (Close-Open)	Auto-Iris (Video & DC Iris) Approx. 1.5 sec (Video Iris) (Close-Open)
Focus	Motorized Approx. 5.5 sec * (Near-Far)	Motorized with Pre-Set Approx. 5.5 sec * (Near-Far)
Zoom	Motorized Approx. 5.5 sec * (Wide-Tele)	Motorized with Pre-Set Approx. 5.5 sec * (Wide-Tele)
Weight	715g	740g
Remarks	* 6.0 sec for Type 1&3	Manual Override (only Video Iris) H10ZME-F (C60704) * 6.0 sec for Type 1&3

Motorized Zoom Lens

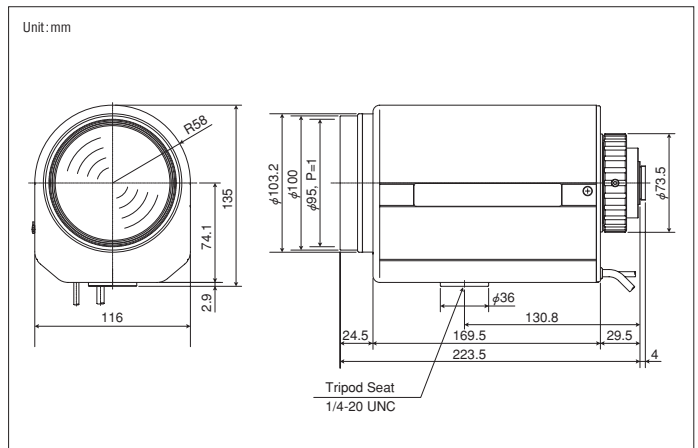
## Motorized Zoom Lens



Basic Specification		
Format Size	1/2	
Focal Length	8.0~120mm	
Max. Aperture Ratio	1:1.6~2.4	
Iris Range	F1.6~1000	
Mount	C	
Horizontal Angle of View	1/4 format	24.76~1.76°
	1/3 format	32.85~2.34°
	1/2 format	43.37~3.09°
	2/3 format	—
Min. Object Distance	1.5m	
Back Focal Length	14.05mm	
Filter Size	62mm P=0.75mm	
Dimensions	78×88.5×134mm	

Model	H15ZAME (C60826)	H15ZAME-P (C60829)
Iris	Auto-Iris (Video & DC Iris) Approx. 1.5 sec (Video Iris) (Close-Open)	Auto-Iris (Video & DC Iris) Approx. 1.5 sec (Video Iris) (Close-Open)
Focus	Motorized Approx. 8.0 sec (Near-Far)	Motorized with Pre-Set Approx. 8.0 sec* (Near-Far)
Zoom	Motorized Approx. 6.0 sec (Wide-Tele)	Motorized with Pre-Set Approx. 6.0 sec (Wide-Tele)
Weight	800g	810g
Remarks		Manual Override (Only Video Iris) H15ZAME-F (C60827) *6.0 sec for Type 1&3

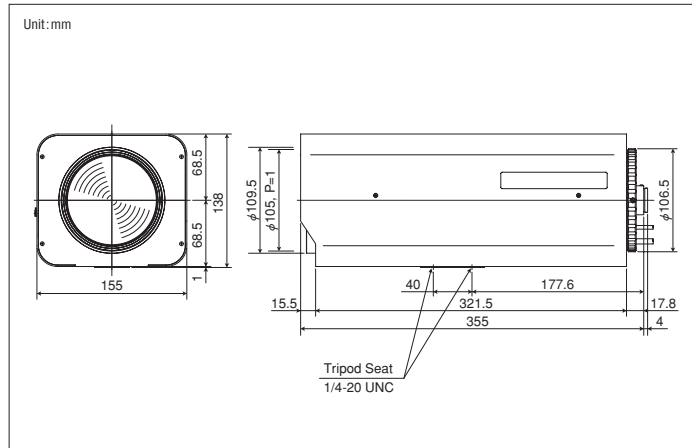
## Motorized Zoom Lens



Basic Specification		
Format Size	1/2	
Focal Length	12~240mm	
Max. Aperture Ratio	1:1.6~2.8	
Iris Range	F1.6~720	
Mount	C	
Horizontal Angle of View	1/4 format	17.17~0.88°
	1/3 format	22.95~1.17°
	1/2 format	30.78~1.56°
	2/3 format	—
Min. Object Distance	2.8m	
Back Focal Length	19.82mm	
Filter Size	95mm P=1.0mm	
Dimensions	116×135×223.5mm	

Model	H20ZAME (C61237)	H20ZAME-P (C61239)
Iris	Auto-Iris (Video & DC Iris) Approx. 1.5 sec (Close-Open)	Auto-Iris (Video & DC Iris) Approx. 1.5 sec (Close-Open)
Focus	Motorized Approx. 10 sec (Near-Far)	Motorized with Pre-Set Approx. 10 sec (Near-Far)
Zoom	Motorized Approx. 10 sec (Wide-Tele)	Motorized with Pre-Set Approx. 10 sec (Wide-Tele)
Weight	2,590g	2,620g
Remarks		Manual Override (Only Video Iris) H20ZAME-FH (C61240) High-Speed

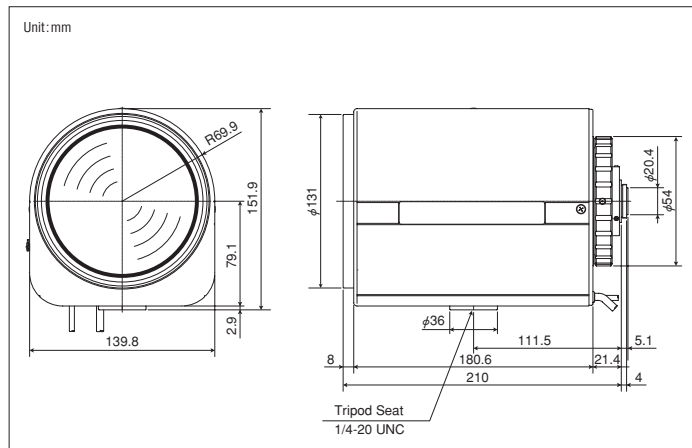
## Motorized Zoom Lens



Basic Specification		
Format Size		1/2
Focal Length		12~1,320mm
Max. Aperture Ratio		1:4.0~7.2
Iris Range		F4.0~360
Mount		C
Horizontal Angle of View	1/4 format	17.17~0.31°
	1/3 format	23.18~0.21°
	1/2 format	31.65~0.28°
	2/3 format	—
Min. Object Distance		5.0m
Back Focal Length		8.99mm
Filter Size		105mm P=1.0mm
Dimensions		155×138×355mm

Model	H55ZME-F (C61233)	
Iris	Auto-Iris (Video Iris) / Manual Override Approx. 1.5 sec (Close-Open)	
Focus	Motorized with Pre-Set Approx. 4.5 sec (Near-Far)	
Zoom	Motorized with Pre-Set Approx. 4.5 sec (Wide-Tele)	
Extender	Motorized Approx. 1.5 sec (In-out)	
Weight	5,400g	
Remarks	Built-In 2x Extender	

## Motorized Zoom Lens

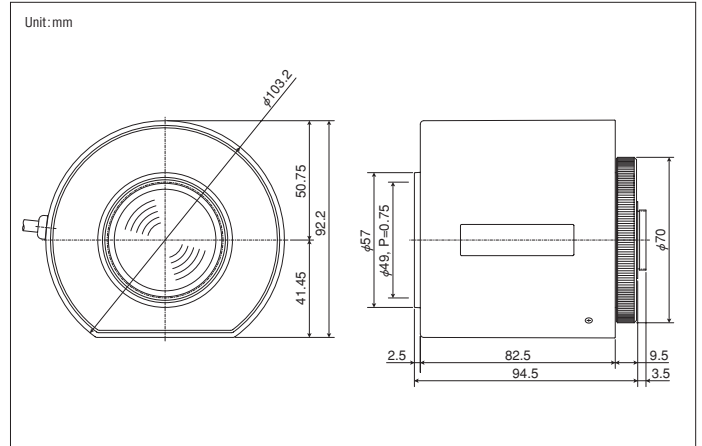
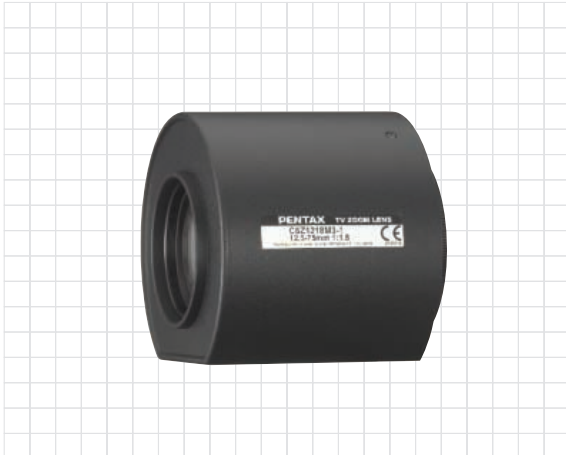


Basic Specification		
Format Size		1/2
Focal Length		8.0~144mm
Max. Aperture Ratio		1:1.6~2.2
Iris Range		F1.6~720
Mount		C
Horizontal Angle of View	1/4 format	25.67~1.43°
	1/3 format	34.10~1.91°
	1/2 format	45.10~2.55°
	2/3 format	—
Min. Object Distance		4.0m
Back Focal Length		13.75mm
Filter Size		—
Dimensions		139.8×151.9×210mm

Model	H18ZME-F (C60839)	
Iris	Auto-Iris (Video Iris) / Manual Override Approx. 1.5 sec (Close-Open)	
Focus	Motorized with Pre-Set Approx. 3.5 sec (Near-Far)	
Zoom	Motorized with Pre-Set Approx. 4.0 sec (Wide-Tele)	
Weight	3,840g	
Remarks	Day & Night	

Motorized Zoom Lens

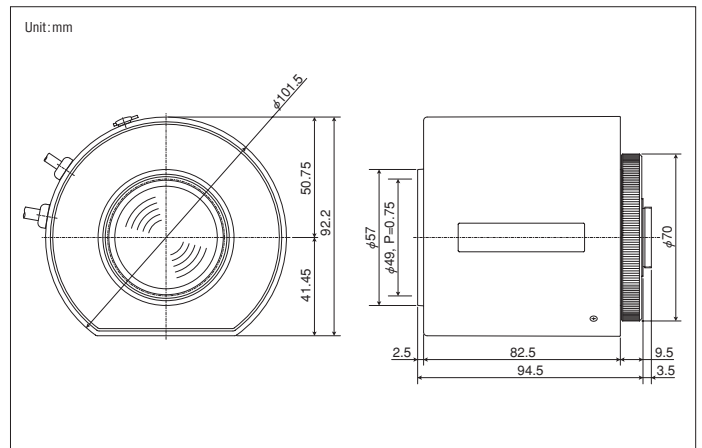
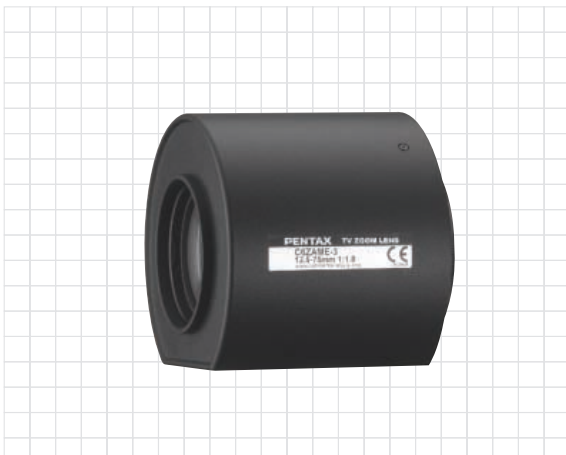
## Motorized Zoom Lens



Basic Specification		
Format Size	2/3	
Focal Length	12.5~75mm	
Max. Aperture Ratio	1:1.8	
Iris Range	1.8 - C	
Mount	C	
Horizontal Angle of View	1/4 format	16.08~2.75°
	1/3 format	21.40~3.66°
	1/2 format	28.44~4.87°
	2/3 format	38.82~6.67°
Min. Object Distance	1.0m	
Back Focal Length	18.41mm	
Filter Size	49mm P=0.75mm	
Dimensions	101.5×92.2×94.5mm	

Model	<b>C6Z1218M3 (C31211)</b>
Iris	Motorized Approx. 4.0 sec (Close-Open)
Focus	Motorized Approx. 5.0 sec * (Near-Far)
Zoom	Motorized Approx. 5.0 sec * (Wide-Tele)
Weight	820g
Remarks	* 5.5 sec for Type 1&3

## Motorized Zoom Lens



Basic Specification		
Format Size	2/3	
Focal Length	12.5~75mm	
Max. Aperture Ratio	1:1.8	
Iris Range	F1.8~720	
Mount	C	
Horizontal Angle of View	1/4 format	16.07~2.75°
	1/3 format	21.36~3.66°
	1/2 format	28.38~4.87°
	2/3 format	38.72~6.67°
Min. Object Distance	1.0m	
Back Focal Length	18.41mm	
Filter Size	49mm P=0.75mm	
Dimensions	101.5×92.2×94.5mm	

Model	<b>C6ZAME (C31220)</b>
Iris	Auto-Iris (Video Iris) Approx. 1.5 sec (Close-Open)
Focus	Motorized Approx. 5.0 sec * (Near-Far)
Zoom	Motorized Approx. 5.0 sec * (Wide-Tele)
Weight	620g
Remarks	* 5.5 sec for Type 1&3

MODEL	Focal length (mm)	Iris range	Mount	Horizontal Angle of View (°)				Filter size	Dimensions (D×L) (W×H×L) mm	Weight (g)	Remarks	Page
				1/4 format	1/3 format	1/2 format	2/3 format					

## ● Monofocal Manual Iris Lens

### 1/2 format

H416 (C60402)	4.2	1.6-C	C	47.87	64.27	86.77	—	—	42×43.5	120	Lock Screw	6
H612A (C60607)	6.0	1.2-C	C	32.97	43.55	56.93	—	40.5 P=0.5	42×46	125	Lock Screw	6
H1212B (C61215)	12.0	1.2-22	C	16.93	22.60	30.18	—	27.0 P=0.5	30×35.5	67	Lock Screw	6

### 2/3, 1 format

C418DX (C30405)	4.8	1.8-C	C	41.68	55.11	72.37	96.36	—	40.5×35.5	105	Lock Screw	6
C815B (C30811)	8.5	1.5-C	C	24.02	31.87	42.09	56.49	40.5 P=0.5	42×40	120	Lock Screw	6
B1214D-2 (C21211)	12.5	1.4-C	C	16.21	21.53	28.51	38.65	40.5 P=0.5	42×50	135	Lock Screw	6
B1218A (C21228)	12.5	1.8-C	C	16.53	21.97	29.12	39.56	40.5 P=0.5	42×40	95	Lock Screw	7
C1614A (C31630)	16.0	1.4-22	C	12.70	16.91	22.48	30.72	27.0 P=0.5	30×33	58	Lock Screw	7
B2514D (C22525)	25.0	1.4-22	C	8.23	10.97	14.62	20.10	27.0 P=0.5	30×37.3	76	Lock Screw	7
B2518 (C22516)	25.0	1.8-C	C	8.23	10.95	14.55	19.87	40.5 P=0.5	42×40	87	Lock Screw	7
B5014A (C25011)	50.0	1.4-C	C	4.13	5.50	7.32	10.04	46.0 P=0.75	48×48	180	Lock Screw	7
B7514C (C27509)	75.0	1.4-C	C	2.75	3.67	4.90	6.75	58.0 P=0.75	62×79	450	Lock Screw	7

## ● Machine Vision Mega-Pixel Lens

### 1/2 format

H1214-M (C61232)	12.0	1.4-16	C	16.49	21.88	28.91	—	27.0 P=0.5	29.5×28.5	55	Lock Screw	8
------------------	------	--------	---	-------	-------	-------	---	------------	-----------	----	------------	---

### 2/3 format

C1614-M (C31634)	16.0	1.4-16	C	12.86	17.11	22.72	30.97	27.0 P=0.5	29.5×33.2	63	Lock Screw	8
C2514-M (C32500)	25.0	1.4-16	C	8.24	10.97	14.60	20.00	27.0 P=0.5	29.5×32	55	Lock Screw	8
C3516-M (C33500)	35.0	1.6-16	C	6.07	8.09	10.76	14.76	27.0 P=0.5	29.5×35.4	64	Lock Screw	8
C5028-M (C35001)	50.0	2.8-22	C	4.12	5.50	7.32	10.05	27.0 P=0.5	29.5×34	55	Lock Screw	8
C7528-M (C37500)	75.0	2.8-32	C	2.83	3.77	5.03	6.90	30.5 P=0.5	34×59.6	125	Lock Screw	8

## ● Line-Scan Lens

YF3528 (C52915F)	35.0	2.8-22	F	64.4 (45mm Image Format)			62 P=0.75	72×56.8	440	Not for photographic cameras	9
YK3528 (C52915K)	35.0	2.8-22	K	64.4 (45mm Image Format)			62 P=0.75	72×57.8	440	Not for photographic cameras	(9)
YF5028 (C52893F)	50.0	2.8-22	F	47.6 (45mm Image Format)			62 P=0.75	72×56.8	440	Not for photographic cameras	9
YK5028 (C52893K)	50.0	2.8-22	K	47.6 (45mm Image Format)			62 P=0.75	72×57.8	440	Not for photographic cameras	(9)

## ● UV Lens (Ultraviolet Ray)

### 1/2 format

H2520-UV (C62500)	25.0	2.0-16	C	8.24	10.98	14.62	—	27 P=0.5	29.5×46	78	200nm-1000nm Ray	9
-------------------	------	--------	---	------	-------	-------	---	----------	---------	----	------------------	---

### 1 format

B2528-UV (C91699)	25.0	2.8-16	C	8.30	11.10	14.80	20.40	25.5 P=0.5	30×25.4	33	230nm-800nm Ray	9
B7838-UV (C91698)	78.0	3.8-16	C	2.70	3.50	4.70	6.50	49 P=0.75	62.5×109.3	446		9

## ● Monofocal Auto-Iris Lens

### 1/3 format

TS212E (C70210)	2.8	1.2-200	CS	71.54	94.28	—	—	—	36.8×43.5×36.3	54	DC Iris	10
TS412E (C70406)	4.0	1.2-200	CS	49.18	63.89	—	—	—	36.8×43.5×33.8	49	DC Iris	10
TS812E (C70804)	8.0	1.2-200	CS	25.05	33.33	—	—	—	36.8×43.5×33.8	44	DC Iris	10

### 1/2 format

HS316E (C60309)	3.7	1.6-300	CS	53.50	70.96	93.58	—	34 P=0.5	42.8×47.1×36.5	57	DC Iris	10
HS614E (C60630)	6.0	1.4-300	CS	33.83	44.52	57.79	—	34 P=0.5	42.8×47.1×36.5	60	DC Iris	10
HS1214E (C61227)	12.0	1.4-300	CS	16.52	22.03	29.38	—	34 P=0.5	42.8×47.1×36.5	46	DC Iris	10
H416E (C60405)	4.2	1.6-360	C	47.87	64.27	86.77	—	—	46.5×50.5×45	135	Video Iris	11
H416ER (C60404)	4.2	1.6-360	C	47.90	64.30	86.78	—	—	46.5×50.5×45	135	Video Iris	(11)
H612E (C60625)	6.0	1.2-360	C	32.97	43.55	56.93	—	43 P=0.75	46.5×50.5×51.1	140	Video Iris	11
H612ER (C60624)	6.0	1.2-360	C	32.96	43.54	56.91	—	43 P=0.75	46.5×50.5×51.1	140	Video Iris	(11)
H1212E (C61220)	12.0	1.2-360	C	16.94	22.60	30.19	—	43 P=0.75	46.5×50.5×51.1	140	Video Iris	11
H1212ER (C61219)	12.0	1.2-360	C	16.94	22.60	30.19	—	43 P=0.75	46.5×50.5×51.1	140	Video Iris	(11)

### 2/3, 1 format

C814E (C30821)	8.0	1.4-360	C	25.10	33.22	43.67	58.25	43 P=0.75	46.5×50.5×51.1	140	Video Iris	11
C814ER (C30820)	8.0	1.4-360	C	25.10	33.22	43.67	58.25	43 P=0.75	46.5×50.5×51.1	140	Video Iris	(11)
B1214E (C21223)	12.5	1.4-360	C	16.22	21.55	28.54	38.69	43 P=0.75	46.5×50.5×47.5	140	Video Iris	11
B1214ER (C21221)	12.5	1.4-360	C	16.22	21.55	28.54	38.69	43 P=0.75	46.5×50.5×47.5	140	Video Iris	(11)
C1614E (C31632)	16.0	1.4-360	C	12.72	16.92	22.50	30.76	43 P=0.75	46.5×50.5×46.7	110	Video Iris	11
C1614ER (C31631)	16.0	1.4-360	C	12.70	16.92	22.50	30.76	43 P=0.75	46.5×50.5×46.7	110	Video Iris	(11)
B2514E (C22527)	25.0	1.4-360	C	8.23	10.97	14.62	20.09	43 P=0.75	46.5×50.5×51.8	140	Video Iris	12
B2514ER (C22526)	25.0	1.4-360	C	8.23	10.97	14.62	20.09	43 P=0.75	46.5×50.5×51.8	140	Video Iris	(12)
B5018E (C25018)	50.0	1.8-360	C	4.13	5.50	7.32	10.04	49 P=0.75	62×51	230	Video Iris	12
B5018ER (C25017)	50.0	1.8-360	C	4.13	5.50	7.32	10.04	49 P=0.75	62×51	230	Video Iris	(12)
B7518AE (C27515)	75.0	1.8-360	C	2.74	3.65	4.87	6.69	49 P=0.75	62×70.5	300	Video Iris	12

MODEL	Focal length (mm)	Iris range	Mount	Horizontal Angle of View (°)				Filter size	Dimensions (D×L)(W×H×L) mm	Weight (g)	Remarks	Page
				1/4 format	1/3 format	1/2 format	2/3 format					

### ● Pinhole Lens

#### 1/3 format

TS420PE (C70403)	4.0	2.0-64	CS	51.24	68.47	—	—	—	36.5×42.3×65.9	79	DC Iris	12
------------------	-----	--------	----	-------	-------	---	---	---	----------------	----	---------	----

#### 1/2 format

H620PE (C60626)	6.2	2.0-300	C	32.44	42.82	56.12	—	—	39×45.5×83.2	100	Video & DC Iris	12
-----------------	-----	---------	---	-------	-------	-------	---	---	--------------	-----	-----------------	----

### ● Vari-Focal Lens

#### 1/3 format

TS2V114E (C70100)	1.6-3.4	1.4-64	CS	180-64.89	180-89.55	—	—	—	38.3×44.7×56.7	140	Fish-Eye, DC Iris	13
TS2V214AED (C70220)	2.8-6.0	1.4-300	CS	72.26-35.35	96.70-47.04	—	—	—	40.4×45.7×43.2	59	Video & DC Iris, Day & Night	13
TS2V314CED (C70319)	3.5-8.0	1.4-300	CS	60.52-26.54	82.41-35.42	—	—	—	38.3×44.7×44.2	52	DC Iris	13
TS3V310 (C70316)	3.0-8.0	1.0-C	CS	68.98-26.44	93.22-35.26	—	—	—	36.2×44.4	47	Manual Iris, Day&Night	13
TS3V310ED (C70315)	3.0-8.0	1.0-360	CS	68.98-26.44	93.22-35.26	—	—	—	38.3×44.7×44.4	60	Video & DC Iris, Day & Night	13
TS4V214ED (C70223)	2.8-12	1.4-360	CS	71.82-18.05	93.29-23.50	—	—	—	43.0×51.5×63.5	83	DC Iris	14
TS10V518AED (C70508)	5.0-50	1.8-360	CS	37.80-4.14	50.00-5.52	—	—	—	44.5×50.8×61.5	140	DC Iris	14

#### 1/2 format

HS2V616ED (C60635)	6.0-12	1.6-300	CS	34.98-17.23	47.38-23.02	65.29-30.82	—	30.5 P=0.5	40.4×45.7×43.5	57	Video & DC Iris, Day & Night	14
--------------------	--------	---------	----	-------------	-------------	-------------	---	------------	----------------	----	------------------------------	----

### ● Manual Zoom Lens

#### 1/3 format

TS6ZE (C70605)	6.3-38	1.2-512	CS	31.26-5.59	41.12-7.43	—	—	49 P=0.75	57.5×77.8	320	Video & DC Iris	15
----------------	--------	---------	----	------------	------------	---	---	-----------	-----------	-----	-----------------	----

#### 1/2 format

H6Z810 (C60812)	8.0-48	1.0-22	C	24.92-4.42	32.99-5.86	43.26-7.73	—	55 P=0.75	57×95	430	Manual Iris	15
H6ZBE (C60811)	8.0-48	1.0-720	C	24.92-4.42	32.98-5.86	43.24-7.73	—	55 P=0.75	69×64×95	465	Video & DC Iris	15

#### 2/3 format

C6Z1218 (C31204)	12.5-75	1.8-22	C	16.07-2.75	21.38-3.66	28.41-4.87	38.76-6.67	49 P=0.75	51×90	320	Manual Iris	15
C6ZE (C31219)	12.5-75	1.8-720	C	16.05-2.75	21.36-3.66	28.38-4.87	38.72-6.67	49 P=0.75	68×90	385	Video Iris	15

### ● Motorized Zoom Lens

#### 1/3 format

TS6ZME (C70600)	6.3-38	1.2-360	CS	31.26-5.59	41.12-7.43	—	—	49 P=0.75	58×63.5×78	410	Video & DC Iris	16
TS10ZME (C70500)	5.8-58	1.2-360	CS	33.77-3.62	44.07-4.78	—	—	49 P=0.75	64.6×70.3×85	380	Video & DC Iris	16
TS10ZME-P (C70501)	5.8-58	1.2-360	CS	33.77-3.62	44.07-4.78	—	—	49 P=0.75	64.6×70.3×85	430	Video & DC Iris	16
TS15ZAME (C70624)	6.0-90	1.2-430	CS	32.96-2.33	43.48-3.08	—	—	62 P=0.75	78×88.5×119	760	Video & DC Iris	17
TS15ZAME-P (C70627)	6.0-90	1.2-430	CS	32.96-2.33	43.48-3.08	—	—	62 P=0.75	78×88.5×119	770	Video & DC Iris	17
TS20ZAME (C70904)	9.0-180	1.2-510	CS	22.61-1.15	30.28-1.53	—	—	95 P=1.0	116×135×223.5	2540	Video & DC Iris	17
TS20ZAME-P (C70906)	9.0-180	1.2-510	CS	22.61-1.15	30.28-1.53	—	—	95 P=1.0	116×135×223.5	2540	Video & DC Iris	17

#### 1/2 format

HS6ZME (C60806)	8.0-48	1.4-360	CS	24.81-4.39	32.78-5.82	42.88-7.69	—	49 P=0.75	58×63.5×78	400	Video & DC Iris	18
H6ZBME (C60809)	8.0-48	1.0-720	C	24.92-4.42	32.98-5.86	43.24-7.73	—	55 P=0.75	64×74.5×97	530	Video & DC Iris	18
H6ZBME-P (C60810)	8.0-48	1.0-720	C	24.92-4.42	32.98-5.86	43.24-7.73	—	55 P=0.75	64×74.5×97	540	Video & DC Iris	18
HS10ZME (C60700)	7.5-75	1.4-360	CS	26.15-2.83	34.52-3.75	45.05-4.95	—	58 P=0.75	67×75×112	580	Video & DC Iris	19
H10ZME (C60701)	7.5-75	1.2-512	C	26.45-2.84	34.94-3.77	45.63-4.99	—	62 P=0.75	70×80.5×121.5	715	Video & DC Iris	19
H10ZME-P (C60702)	7.5-75	1.2-512	C	26.45-2.84	34.94-3.77	45.63-4.99	—	62 P=0.75	70×80.5×121.5	740	Video & DC Iris	19
H15ZAME (C60826)	8.0-120	1.6-1000	C	24.76-1.76	32.85-2.34	43.37-3.09	—	62 P=0.75	78×88.5×134	800	Video & DC Iris	20
H15ZAME-P (C60829)	8.0-120	1.6-1000	C	24.76-1.76	32.85-2.34	43.37-3.09	—	62 P=0.75	78×88.5×134	810	Video & DC Iris	20
H20ZAME (C61237)	12-240	1.6-720	C	17.17-0.88	22.95-1.17	30.78-1.56	—	95 P=1.0	116×135×223.5	2590	Video & DC Iris	20
H20ZAME-P (C61239)	12-240	1.6-720	C	17.17-0.88	22.95-1.17	30.78-1.56	—	95 P=1.0	116×135×223.5	2620	Video & DC Iris	20
H55ZME-F (C61233)	12-1320	4.0-360	C	17.17-0.31	23.18-0.21	31.65-0.28	—	105 P=1.0	155×138×355	5400	Video Iris	21
H18ZME-F (C60839)	8.0-144	1.6-720	C	25.67-1.43	34.10-1.91	45.10-2.55	—	—	139.8×151.9×210	3840	Video Iris, Day & Night	21

#### 2/3 format

C6Z1218M3 (C31211)	12.5-75	1.8-C	C	16.08-2.75	21.40-3.66	28.44-4.87	38.82-6.67	49 P=0.75	101.5×92.2×94.5	820	Motorized Iris	22
C6ZAME (C31220)	12.5-75	1.8-720	C	16.07-2.75	21.36-3.66	28.38-4.87	38.72-6.67	49 P=0.75	101.5×92.2×94.5	620	Video Iris	22

### ● Board Camera Lens

#### 1/4 format

QD222E (C40214)	2.3	2.2-128	φ14	88.20	—	—	—	—	19×31×20.9	8	DC Iris	23
QD320E (C40302)	3.0	2.0-200	φ14	69.14	—	—	—	—	19×31×18.2	8	DC Iris	23
QD420E (C40402)	4.0	2.0-200	φ14	51.86	—	—	—	—	19×31×17.5	8	DC Iris	23
QD2V2214AE (C40209)	2.2-4.5	1.4-200	φ14	93.36-45.75	—	—	—	—	29.6×37.3×32	27	DC Iris	23
QD2V2814AE (C40208)	2.8-5.8	1.4-200	φ14	74.62-35.87	—	—	—	—	29.6×37.3×32.1	26	DC Iris	23
QD2V2214BE-DN (C40216)	2.2-4.5	1.4-200	φ14	92.84-45.88	—	—	—	—	29.6×50.2×31.9	34	DC Iris, Day & Night	24
QD2V2814BE-DN (C40217)	2.8-5.8	1.4-200	φ14	74.67-35.86	—	—	—	—	29.6×50.2×31.9	33	DC Iris, Day & Night	24
QD3ZMED (C40219)	2.8-7.3	1.9-200	Special	73.42-28.74	—	—	—	—	35.1×29.7×26.8	18	DC Iris	24

#### 1/3 format

TD3V314E-DN (C70318)	3.0-8.0	1.4-300	φ14	68.67-26.48	92.55-35.28	—	—	—	29.6×41.2×33.1	29	DC Iris, Day & Night	24
----------------------	---------	---------	-----	-------------	-------------	---	---	---	----------------	----	----------------------	----